

EXTREME PRESSURE. EXTREME PROTECTION.

SENTRY XPA SERIES

HIGH PRESSURE STAINLESS STEEL PULSATION DAMPENERS

We just took extreme to the next level.



Introducing our new XPA model rated to 7,500 PSI.

You've come to rely on our SENTRY XP pulsation dampeners to protect high pressure pumping systems. But, you needed more. So we built it. With a re-engineered threaded cap design, our new SENTRY XPA model provides even more protection for more extreme applications.

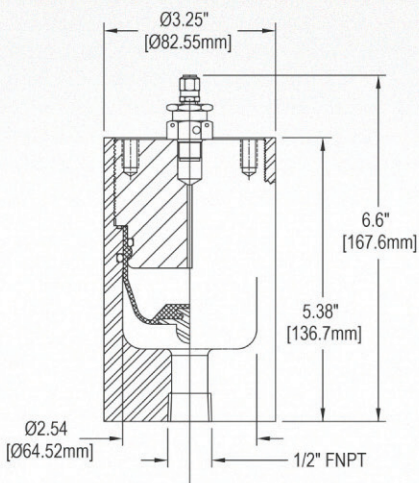
- Pressure ratings up to 7,500 psi (517 bar) for extreme applications
- Corrosion resistant 316L Stainless Steel solid shell casing
- Positive seal threaded cap is low maintenance and easy to service

BLACOH[™]
FLUID CONTROL

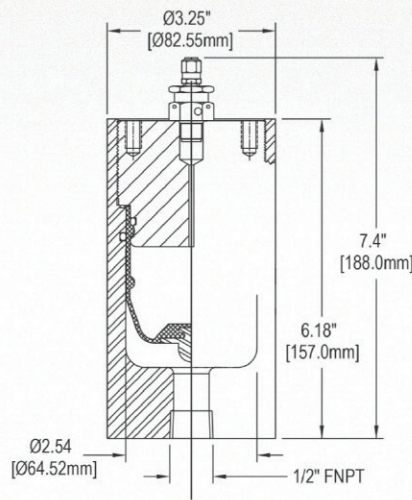
Don't Pump Without Us.

XPA STAINLESS STEEL HIGH PRESSURE DAMPENERS

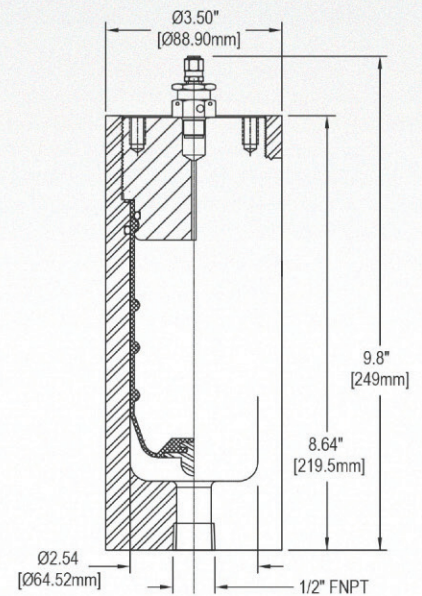
8 cubic in (.13L)



12 cubic in (.20L)



24 cubic in (.39L)



- Pressure ratings to 7,500 psi (517 bar)
- 316L Stainless Steel shell casing
- BUNA-N, EPDM or VITON bladders
- 1/2" FNPT inlet also available with ANSI Class Flange



Don't Pump Without Us.

Contact your local BLACOH distributor:

800.603.7867 | 951.342.3100 | www.BLACOH.com | Sales@Blacoh.com

SENTRY™

SENTINEL™

SPILLSTOP™