

DAMPEN IT!

2.5 GALLON ALUMINUM DAMPENER

Low cost, aluminum Pulsation Dampener prevents pipe failure due to vibration and water hammer!



Aluminum design matches materials of construction for aluminum pumps

USE A PULSATION DAMPENER TO:

- Reduce pump pulsation, pipe vibration, and shaking up to 99%
- Protect plastic piping, joints, and fittings from breaking or leaking
- Extend pump component life and improve pump performance
- Minimize pump cavitation
- Remove hose motion that abrades and shortens hose life
- Eradicate splashing, foaming, or product degradation
- Ensure accurate reading of flow meters and gauges
- Produce a smooth and even flow for spraying or filling

(800) 603-7867
www.Blacoh.com

BLACOH
FLUID CONTROL

Member of
Hydraulic



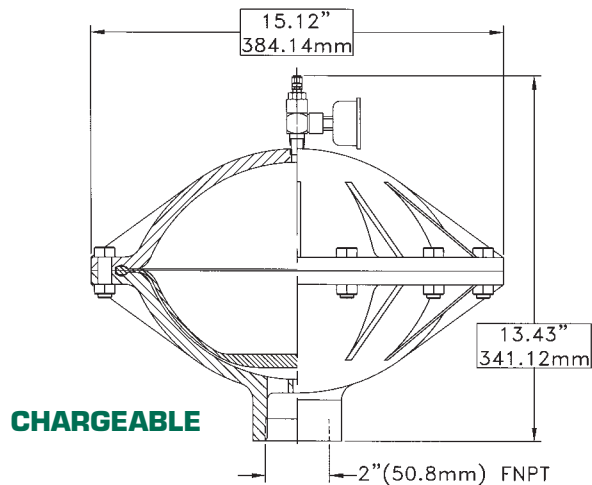
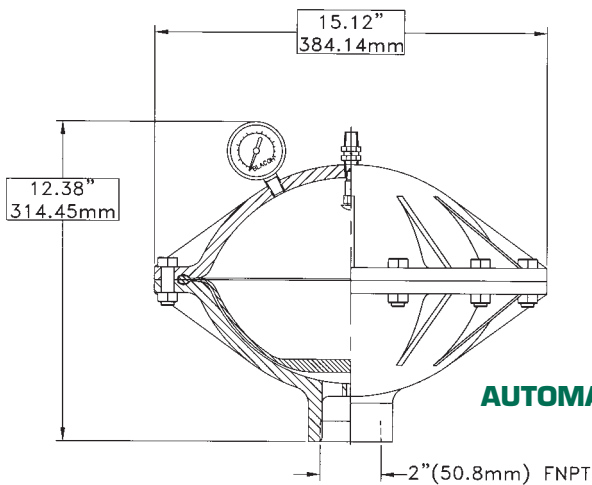
SENTRY
PULSATION DAMPENERS

SENTINEL
DIAPHRAGM SEALS

SPILL STOP
LEAK CONTAINMENT



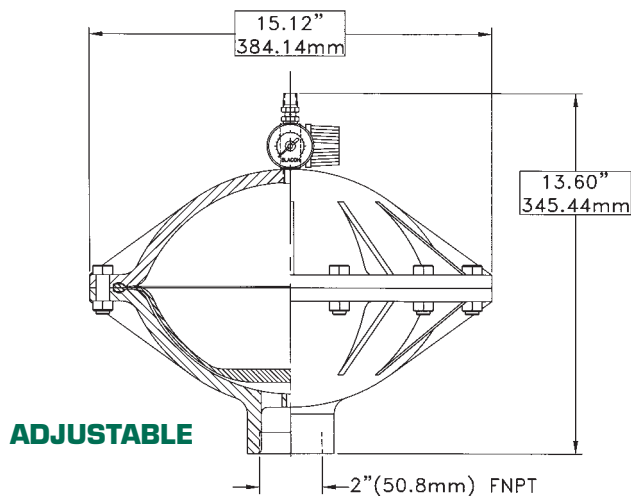
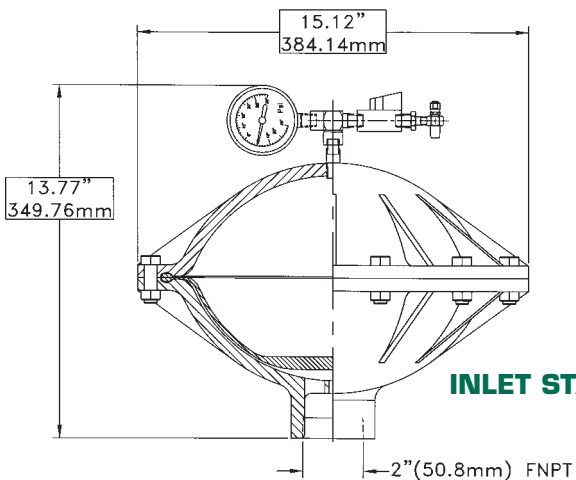
SENTRY 2.5 GALLON (9.46L) DAMPENERS



CAPACITY: 2.5 GALLON / 577 CUBIC INCHES (9.46L)				
MAX PRESSURE	150 PSI (10.35 BAR)	150 PSI (10.35 BAR)	150 PSI (10.35 BAR)	30 PSI (2.07 BAR)
AIR CONTROL	ADJUSTABLE	AUTOMATIC	CHARGEABLE	INLET STABILIZER
BLADDER	MODEL	MODEL	MODEL	MODEL
NEOPRENE	577N	A577N	CT577N	J577N
BUNA	577B	A577B	CT577B	J577B
EPDM	577ND	A577ND	CT577ND	J577ND
VITON	577V	A577V	CT577V	J577V

WARNING: Models containing aluminum wetted parts cannot be used with Trichloroethane, Methylene Chloride or other Halogenated Hydrocarbon solvents which may react and explode.

CAUTION: For specific materials and model selection, contact your distributor or Blacoh Fluid Control, Inc.



Please call your local distributor:



Call for your **FREE** Demonstration CD



601 Columbia Ave., Bldg. D, Riverside, CA 92507 • USA
 Tel: (800) 603-7867 or (951) 342-3100 • Fax: (951) 342-3101
 E-mail: sales@blacoh.com • Website: www.blacoh.com